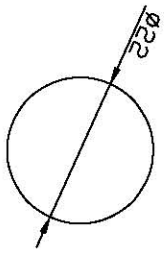
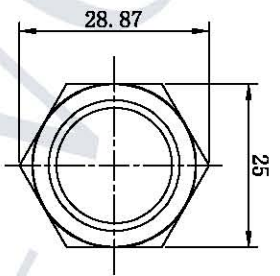
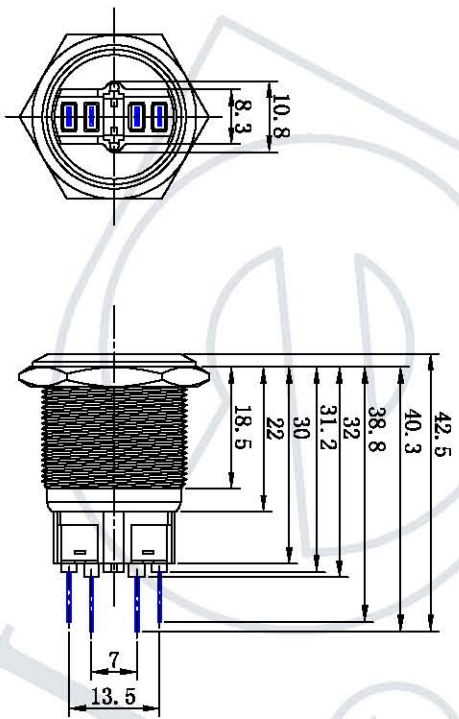
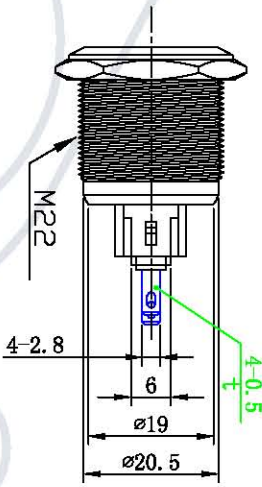
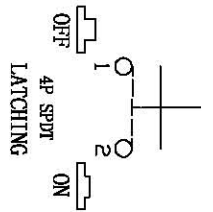


111-F2209



安装面板
PANEL CUT-OUT



SPECIFICATIONS

1	Contact Rating:5A @ 250V
2	Electrical Life:50,000cycles
3	Contact Resistance:50m-ohms max(initial)
4	Insulation Resistance:1,000M-ohms min @ 500VDC
5	Dielectric Strength:2,000V RMS 50 ~ 60Hz
6	Operating Temperature:-20° C ~ +55° C
7	Switch function :IND INC
8	IP Class:IP65 Protection
9	Torque:5~14Nm max.applied to nut
10	Operating Force:5N max

MATERIALS

1. Button:Stainless Steel
2. Bushing & Bezel:Stainless Steel
3. Base:PC
4. Contact :Silver,Gold Plated
5. Nut :Nickel plated brass

按钮开关		Yaoqing Daler Electron co., Ltd	
设计	校核	数量	重量
1	1	1	1
阶段标记		比例	
1		1:1	
GQ22F-11L		Push Button Switch	
Yaoqing Daler Electron co., Ltd		GQ22F-11L	

借 (通) 用件登记	
插图	
插校	
图底图总号	
底图总号	
签字	
日期	